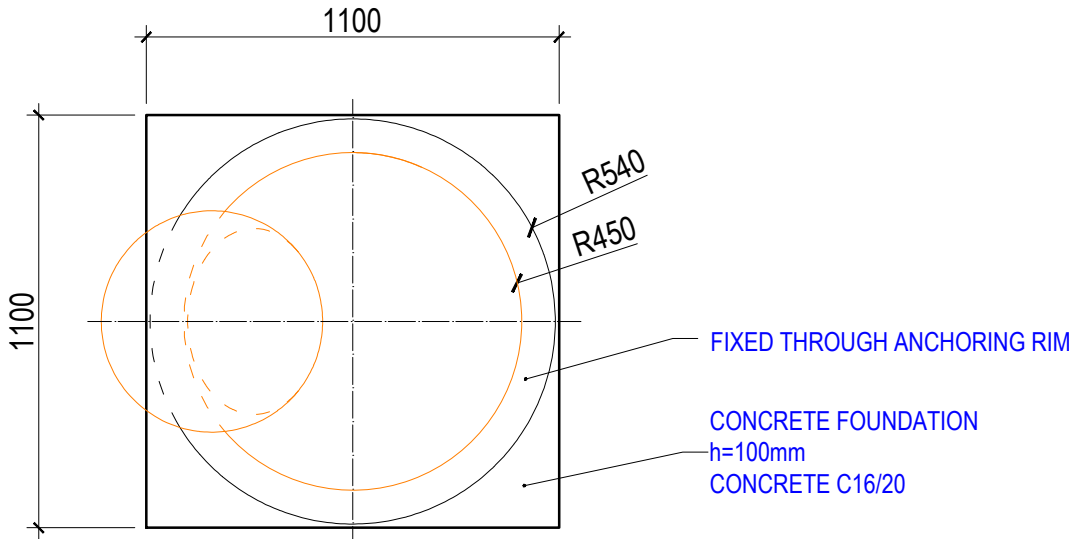
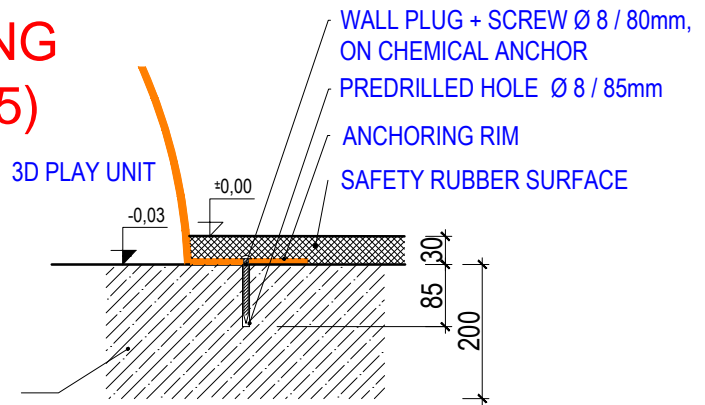


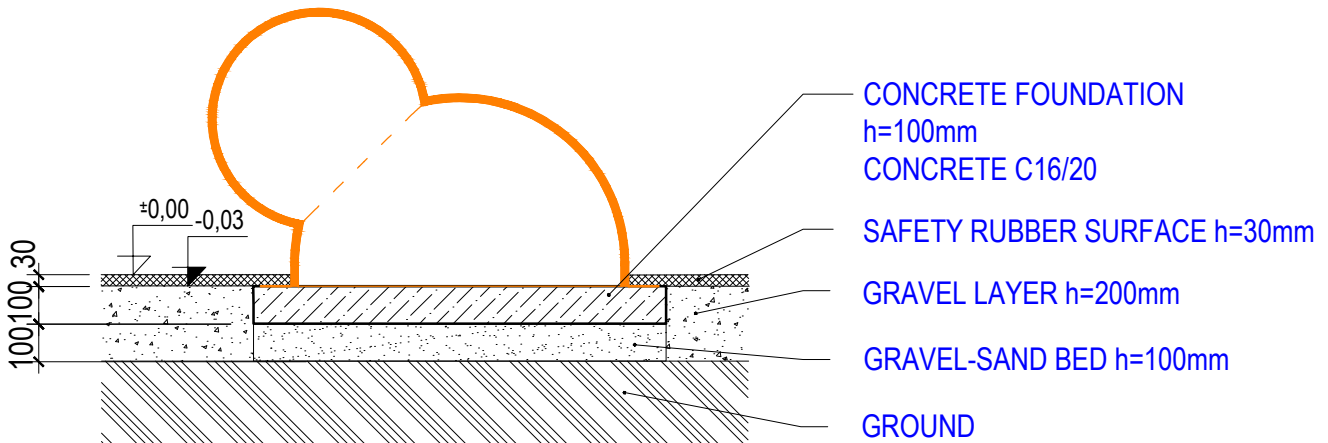
# GROUND PLAN (1:20)



# ANCHORING DETAIL (1:5)



# SECTION (1:20)



Author:

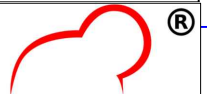
MgA. Maxmilián Blišťák

3D PROGRAM, s.r.o.

Objízdná 1911  
765 02 Otrokovice

Tel: 602 500 045

Email: info@3dprogram.eu



3D PROGRAM

# TECHNICAL DRAWING

Certified according to

EN71 , EN1176

Date of issue

22.2.2021

M11 - MINI LADYBIRD

1:20, 1:10

format 1xA4

Foundation and anchoring - ground plan and section

M11\_EN.dwg

revision 0