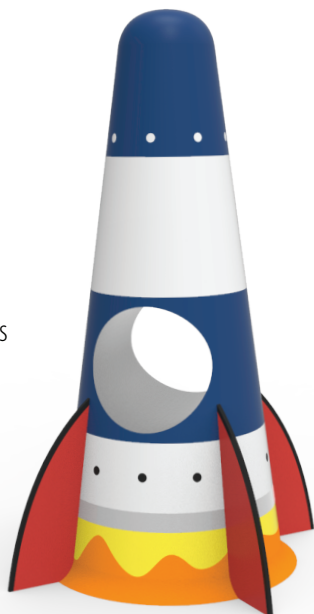


product line **EXTRA**

SPACE SHUTTLE

with tube

Product is offered either with fiberglass or stainless steel tube Ø460mm



PRODUCT COMPOSITION

SBR+EPDM rubber granules, aliphatic PU binder, vandal-resistant fiberglass shell, metal parts, stainless steel (opt. fiberglass) tube

COLOR COMBINATION

standard: white, blue, rose, yellow, orange (other combination on request)

COLOR STABILITY

UV stable

RECOMMENDED SAFETY SURFACE

safety rubber surface in the area of 1500 mm around the product (according to EN1177)

PRODUCT SAFETY

certified according to EN1176
complies with ASTM F1487 and CAN/CSA Z614

INSTALLATION

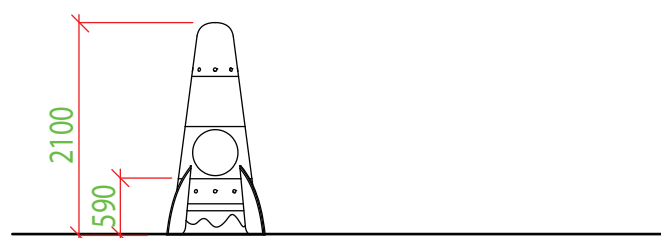
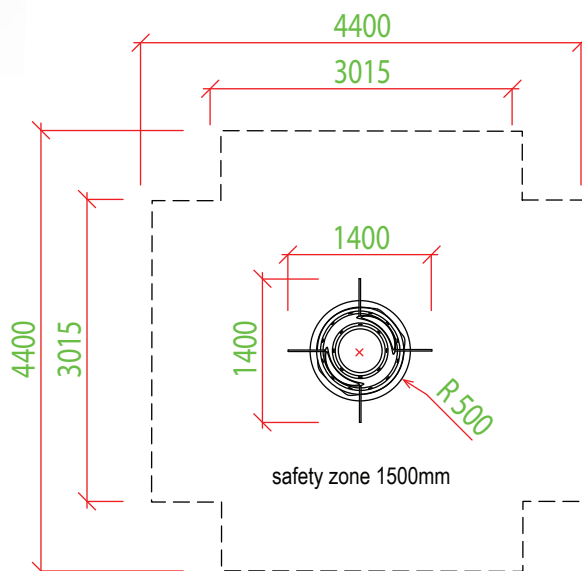
the product is installed onto a concrete foundation

PACKAGING

wrapped in plastic and delivered on a pallet 1200 x 1200mm

STORAGE

in original packaging on a pallet
in temperatures between - 40° C and 50° C



Our products are handmade, please allow dimensional tolerance up to 40 mm

120 kg weight	<600 mm critical fall height	2 h assembly time	4 - 14 yrs users' age	3 max. number of users	1400 x 1400 mm h=2100 mm
-------------------------	---	-----------------------------	---------------------------------	----------------------------------	---

3D PROGRAM, s.r.o.

Objízdná 1911
765 02 Otrokovice
Czech Republic



MADE IN EU

www.3dprogram.eu
info@3dprogram.eu
+420 602 500 045 +420 577 700 718

